

UHP flow-through-gauges

Diaphragm pressure gauge, nominal size 1 1/2"

Model 432.25

WIKA data sheet PM 04.11

Applications

- Suitable for gaseous, liquid and corrosive media, also in a corrosive environment, for demanding high purity applications
- Semiconductor and flat panel industry
- Gas distribution systems
- Medical gases
- Hook-up application

Special features

- No dead volume in the pressure gauge
- Low internal volume for reducing particle generation and entrapment
- Compact design
- Helium leak tested, leak rate $\leq 10^{-9}$ mbar · l/s
- Electropolished internals and case, internal surface finish $Ra \leq 0,25 \mu\text{m}$

Description

Nominal size

1 1/2"

Accuracy class

Grade C according to ASME B40.1

Scale ranges

- 30 inHg ... 60 psi
- 30 inHg ... 130 psi

Operating temperature

Ambient: -10 ... +60 °C
Medium: +60 °C maximum

Pressure connection

Fixed male 9/16-18 UNF



UHP flow-through-gauge, model 432.25.1 1/2"

Pressure element

Inconel

Dial

White aluminium, with black lettering

Pointer

Black aluminium

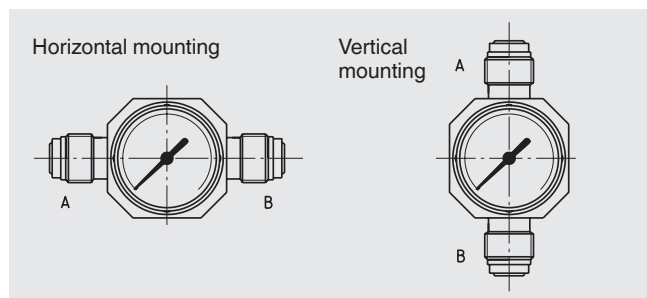
Case

Material: stainless steel 316L, electropolished

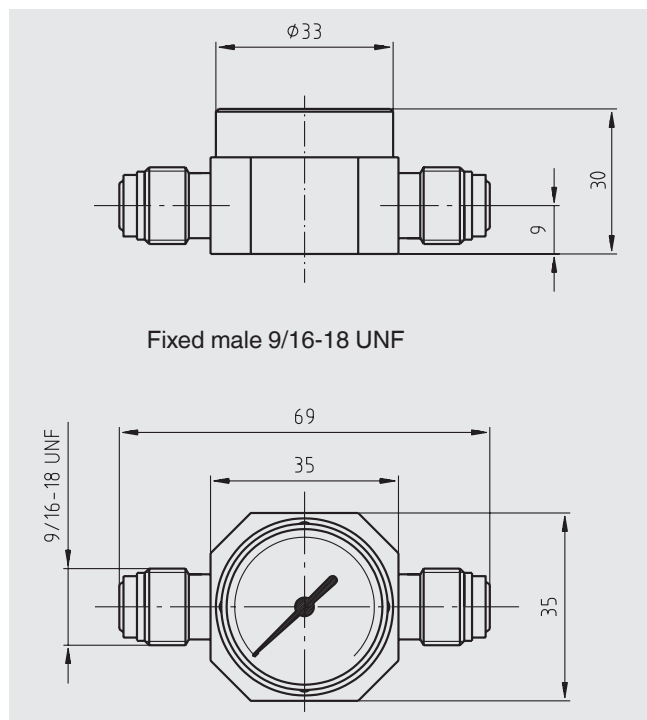
Window

One piece polycarbonate

Mounting position



Dimensions in mm



Ordering information

Pressure gauge model / Nominal size / Scale range / Pressure connection / Mounting position

The specifications given in this document represent the state of engineering at the time of publishing.
We reserve the right to make modifications to the specifications and materials.

