

Pitot tube

Model FLC-APT-E, extractable version

Model FLC-APT-F, fixed version

WIKA data sheet FL 10.05

FloTec

Applications

- Oil production and refining
- Water treatment and distribution
- Gas processing and transmission
- Chemical and petrochemical industry

Special features

- Suitable for liquid, gas and steam flow measurement
- Accuracy $\pm 2\%$ of actual flow rate
- Repeatability of measurement 0.1 %
- Ensure the lowest pressure loss in the family of primary flow elements (approx. $< 1\%$)

Description

FloTec is a multiport self-averaging flow meter with a design based on the classical pitot tube concept. This pitot tube produces an averaged differential pressure proportional to the square of the flow rate.

The differential pressure output of the flow meter is normally connected to a differential pressure transmitter in order to generate an electrical signal from the differential pressure. This electrical signal is proportional to the flow rate.

A differential pressure gauge or a differential pressure switch can be used to provide local indication of the flow rate or for switching tasks.

The pitot tube is suitable for the measurement of one-phase fluids which completely fill the cross-section of the pipe.



Pitot tubes

Fig. left: Extractable version, model FLC-APT-E

Fig. right: Fixed version, model FLC-APT-F

Specifications

Nominal size and pipe schedule

Nominal sizes of 50 ... 1,800 mm (2" ... 72")

The pipe schedule must be specified by the customer.

The overview on page 4 will help to select the best suitable version.

Nominal pressure rating

Depending on the selected mounting type, the flange will respect the nominal pressure rating of the pipeline (in accordance with the relevant standards).

For mounting types, see page 3

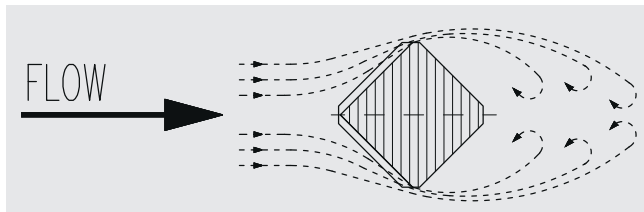
Materials

Completely made from stainless steel AISI 316.

Other materials are available on request

Profile shape

The upstream side of the FloTec is designed to generate a break point, due to which the medium passes around the pitot tube without causing any turbulence. This feature creates a stable pressure with a constant flow coefficient at the downstream measuring point, even at high flow rates. Thus a very wide range of applications in the field of flow measurement is enabled.



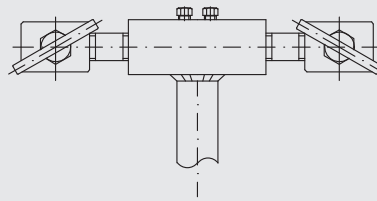
Vortex shedding frequency

Depending on the internal diameter, the fluid characteristics and the Reynolds number, a vortex will be generated around the pitot tube. If the natural frequency of the pitot coincides with the vortex shedding frequency, an end support can be mounted on the opposite side of the pipe (see page 4). The necessity test is performed during the design phase.

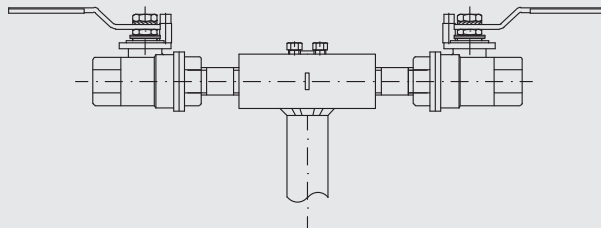
For further details and information, see Technical information IN 00.15 at www.wika.com

Pressure tap

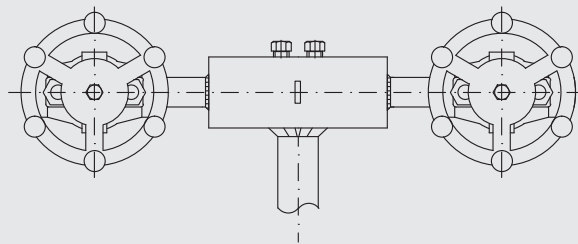
Needle valves (standard)



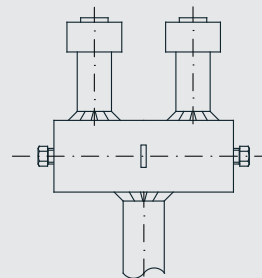
Ball valves



Gate valves



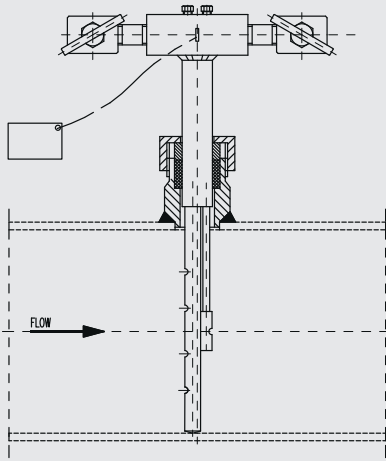
Flanged, for a direct connection of a differential pressure transmitter



Available variants

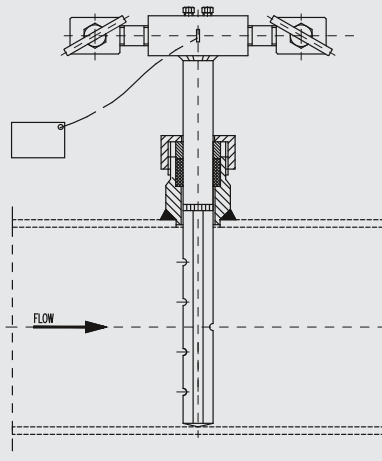
Series 73

For small nominal sizes ≤ 5" and low-stress conditions



Series 75

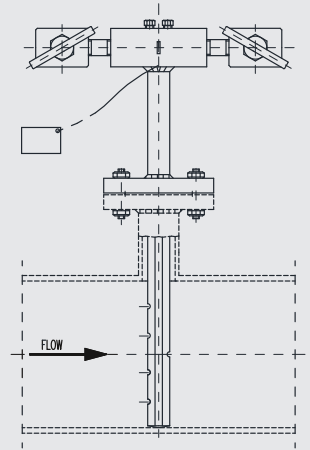
For medium nominal sizes ≤ 42" and medium-stress conditions (obtained from 20 mm square bar)



Series 78

For large nominal sizes ≤ 42" and high-stress conditions (obtained from 40 mm square bar)

Not available with compression fitting



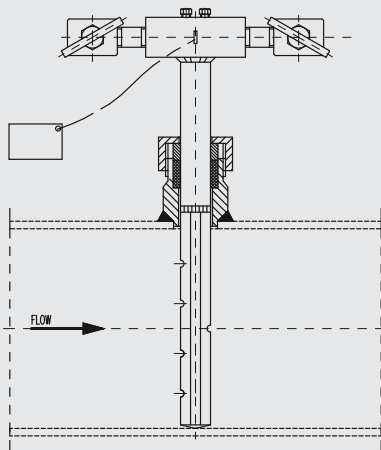
The overview on page 4 will help to select the best suitable version.

Mounting types

Model FLC-APT-F

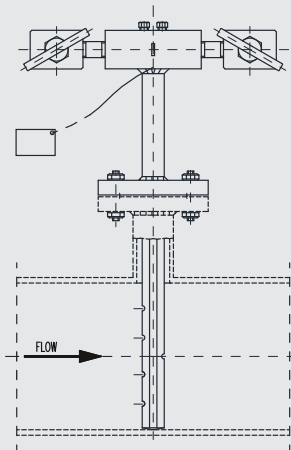
Compression fitting

Mounting by means of a sealed gland with ferrule



Flange version

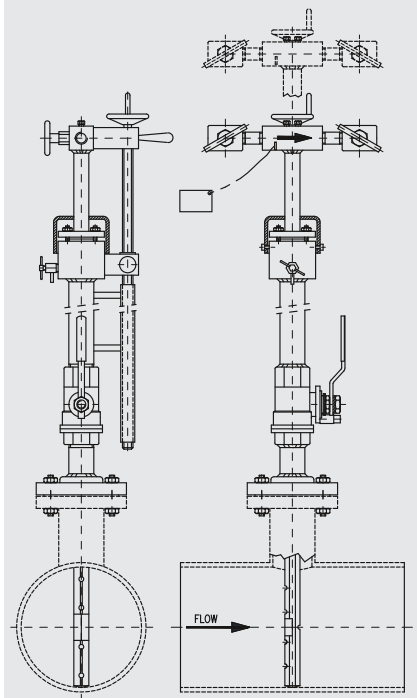
Mounting by means of a flange nozzle



Model FLC-APT-E

Extractable version

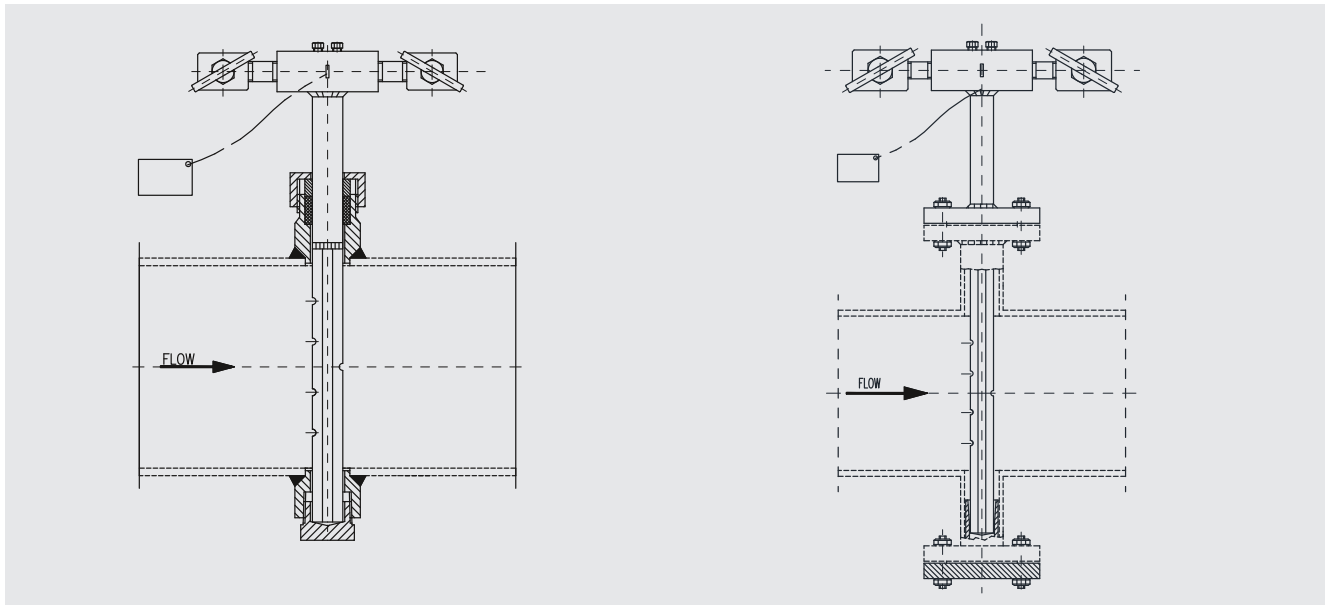
Mounting by means of a flange nozzle, extractable under process conditions



End support (option)

The choice of the suitable version depends on the vibrations under process conditions.

The end support is not available for series 73.



The following overview will help to select the best suitable version.

Overview

Compression fitting

Series	73		75		78	
	without	without	with	without	with	with
2"	●					
2 ½"	●					
3"	●					
3 ½"	●					
4"	●	●	●			
5"	●	●	●			
6"		●	●			
8"		●	●			
10"		●	●			
12"		●	●			
14"		●	●			
16"		●	●			
18"		●	●			
20"		●	●			
24"		●	●			
30"		●	●			
36"		●	●			
42"		●	●			
48"			●			
60"			●			
72"			●			

Flange version

Series	73		75		78	
	without	without	with	without	with	with
2"						
2 ½"						
3"						
3 ½"	●					
4"	●					
5"	●					
6"		●	●			
8"		●	●			
10"		●	●			
12"		●	●	●	●	
14"		●	●	●	●	●
16"		●	●	●	●	●
18"		●	●	●	●	●
20"		●	●	●	●	●
24"		●	●	●	●	●
30"		●	●	●	●	●
36"		●	●	●	●	●
42"		●	●	●	●	●
48"		●	●	●	●	●
60"		●	●	●	●	●
72"		●	●	●	●	●

Extractable version

Series	73		75		78	
	without	without	with	without	with	with
2"						
2 ½"						
3"						
3 ½"						
4"		●	●			
5"		●	●			
6"		●	●			
8"		●	●			
10"		●	●			
12"		●	●	○	○	
14"		●	●	○	○	
16"		●	●	○	○	
18"		●	●	○	○	
20"		●	●	○	○	
24"		●	●	○	○	
30"		●	●	○	○	
36"		●	●	○	○	
42"		●	●	○	○	
48"				○	○	
60"				○	○	
72"						

● possible without limitations
○ possible for a temperature of max. 200 °C

Ordering information

Model / Nominal size and pipe schedule / Nominal pressure rating / Material / Pressure tap / Mounting type / Available variant / End support

© 2013 WIKA Alexander Wiegand SE & Co. KG, all rights reserved.
The specifications given in this document represent the state of engineering at the time of publishing.
We reserve the right to make modifications to the specifications and materials.



WIKAI Alexander Wiegand SE & Co. KG
Alexander-Wiegand-Straße 30
63911 Klingenberg/Germany
Tel. (+49) 9372/132-0
Fax (+49) 9372/132-406
E-mail info@wika.de
www.wika.de