

Eco differential pressure transmitter Model A2G-55

WIKA data sheet SP 69.05

air²guide

Applications

- Differential pressure transmitter for monitoring the differential pressure of air and other non-flammable and non-aggressive gases
- Monitoring of ventilation ducts, filters or ventilators in building services applications

Special features

- Simple mounting
- Maintenance-free
- Compact and robust design
- Cost-effective variant to the standard instrument model A2G-50



Eco differential pressure transmitter model A2G-55

Description

Design

Per 89/336/EEC electromagnetic compatibility
2002/95/EC RoHS (restriction of the use of certain hazardous substances in electrical and electronic equipment)

Accuracy

±2.5 % FS

Measuring ranges

0 ... 250 Pa, 0 ... 500 Pa, 0 ... 750 Pa, 0 ... 1,000 Pa,
0 ... 1,250 Pa, 0 ... 2,500 Pa, 0 ... 3,750 Pa, 0 ... 5,000 Pa

Maximum pressure

0 ... 250 to 0 ... 750 Pa: 5 kPa
0 ... 1,000 to 0 ... 5,000 Pa: 5 x FS

Burst pressure

0 ... 250 to 0 ... 750 Pa: 10 kPa
0 ... 1,000 to 0 ... 5,000 Pa: 10 x FS

Permissible temperature

Storage: -20 ... +85 °C
Operation: -10 ... +50 °C

Ingress protection

IP 65 per EN 60529 / IEC 529

Weight

250 g

Standard version

Process connection

Hose connection (stainless steel), for hoses with inner diameter 5.5 mm

Measuring element

Piezo-resistive measuring cell (silicium)

Case

Plastic (ABS)

Electrical connection

Cable gland M16

Screw terminals, max. 1,5 mm²

Output signal

DC 0 ... 10 V, 3-wire

optionally 4 ... 20 mA, 2-wire

Supply voltage

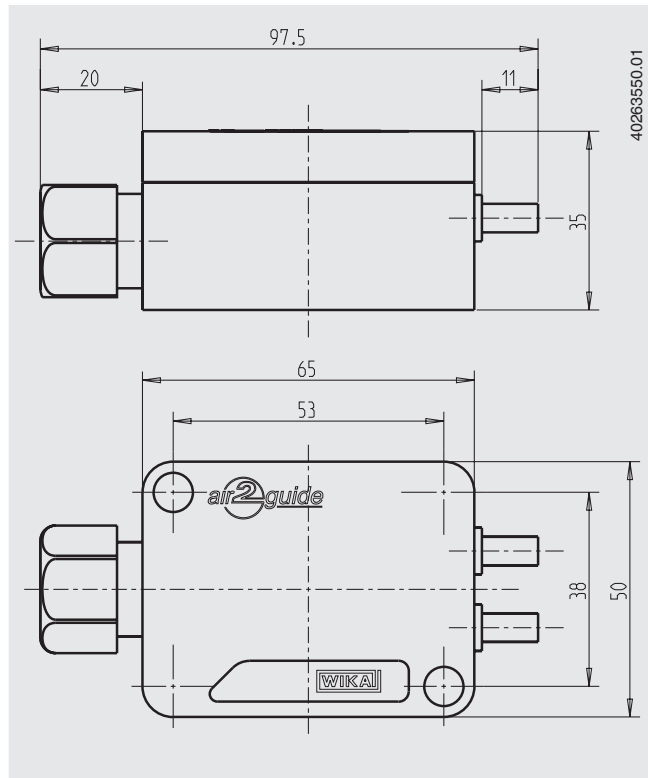
DC 13 ... 32 V

Long-term stability

0 ... 250 to 0 ... 750 Pa: ±8 Pa per year

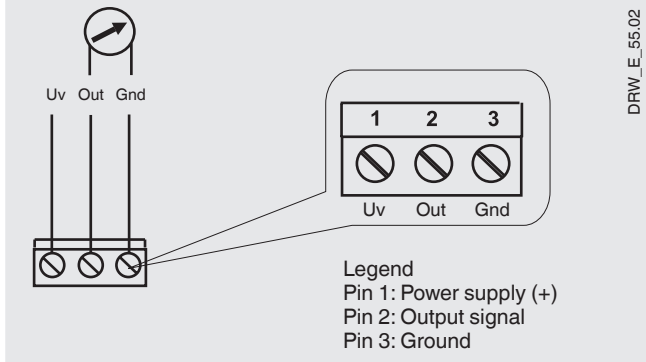
0 ... 1,000 to 0 ... 5,000 Pa: ±24 Pa per year

Dimensions in mm

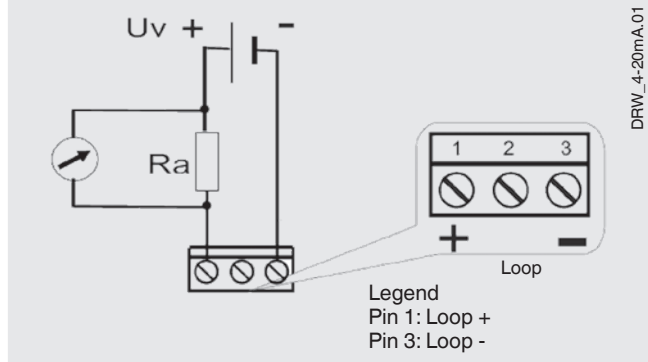


Connection diagram

Output signal DC 0 ... 10 V, 3-wire



Output signal 4 ... 20 mA, 2-wire



Ordering information

Model / Measuring range

© 2009 WIKA Alexander Wiegand SE & Co. KG, all rights reserved.
The specifications given in this document represent the state of engineering at the time of publishing.
We reserve the right to make modifications to the specifications and materials.

