

Differential pressure transmitter Model A2G-50

WIKA data sheet SP 69.03



Applications

- Differential pressure transmitter for monitoring the differential pressure of air and other non-inflammable and non-aggressive gases
- Monitoring of air filters, blowers in ventilation ducts
- Control of air and fire dampers and for overpressure monitoring in clean rooms and laboratories

Special features

- Simple mounting
- Adjustable response time
- Zeroing by push button
- Compact and robust design
- Two output signals in one instrument



Differential pressure transmitter model A2G-50

Description

Design

Per 89/336/EEC electromagnetic compatibility

Accuracy

±1.5 %

(with measuring range -250 ... +250 Pa: ±3 %)

Measuring ranges

- Variant 1: 0 ... 2,500 Pa standard
(-100 ... +100¹⁾/0 ... 100¹/250¹/500/1,000/1,500/
2,000 Pa adjustable via jumper)
- Variant 2: 0 ... 7,000 Pa standard
(0 ... 1,000/1,500/2,000/2,500/3,000/4,000/5,000 Pa
adjustable via jumper)
- Variant 3 ²⁾: -250 ... +250 Pa (-25 ... +25/-50 ... +50/
-100... +100/0 ... 25/50/100/250 Pa adjustable via jumper)

Maximum pressure

25 kPa

Permissible temperature

Ambient: -20 ... +70 °C

Operation: -5 ... +50 °C

Ingress protection

IP 54 per EN 60529 / IEC 529

Weight

150 g

¹⁾ Option automatic zero adjustment recommended

²⁾ Only with option automatic zero adjustment

Standard version

Process connection

Connecting nozzle (ABS), for hoses with inner diameter 4 or 6 mm

Measuring element

Piezo measuring cell

Zero point adjustment

By push button in the case

Case

Plastic (ABS)

Electrical connection

Cable gland M16

Screw terminals, max. 1.5 mm²

Output signal

4 ... 20 mA or 0 ... 10 V, 3-wire

Supply voltage

AC 24 V or DC 24 V $\pm 10\%$

Long-term stability

0 ... 2,500 Pa ± 8 Pa per year

0 ... 7,000 Pa ± 24 Pa per year

-250 ... +250 Pa ± 3 Pa per year

± 1 Pa with automatic zero adjustment (option)

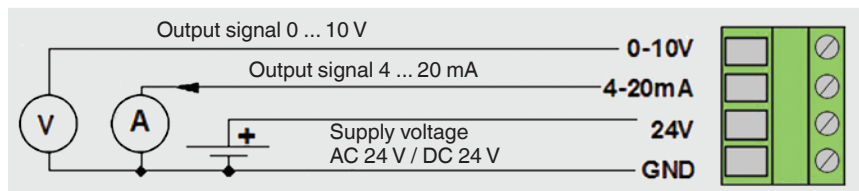
Standard accessories

- 2 mounting screws

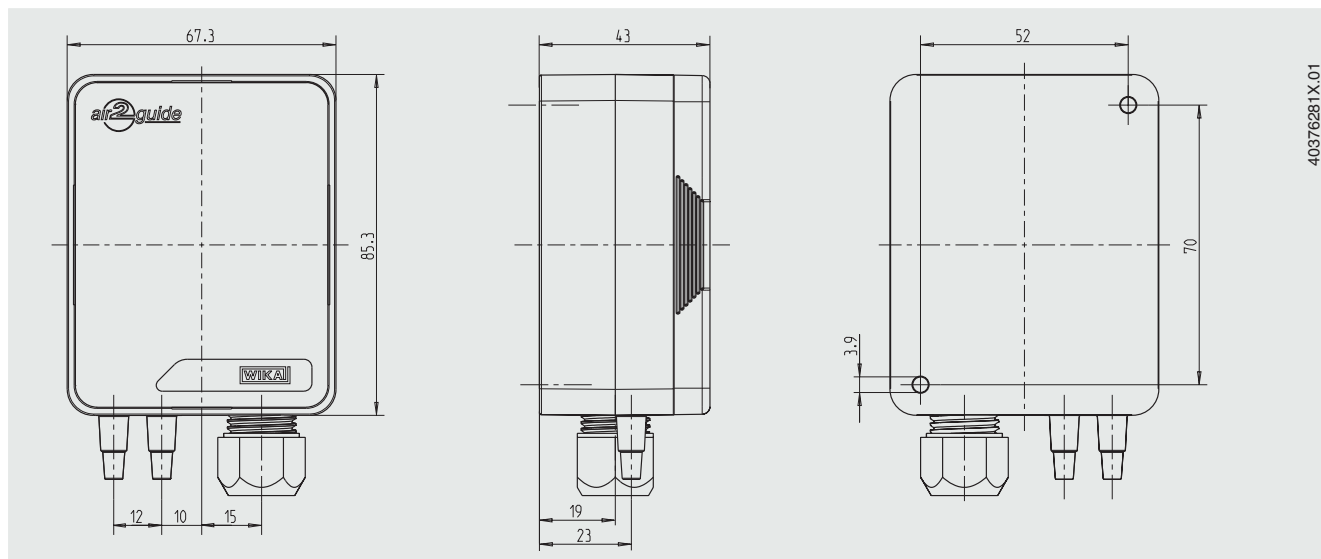
Options

- Display
- Automatic zero adjustment
- 2 duct connectors
- 2 m PVC hose with 4 mm inner diameter

Connection diagram



Dimensions in mm



Ordering information

Model / Measuring range / Options

© 2008 WIKA Alexander Wiegand SE & Co. KG, all rights reserved.
The specifications given in this document represent the state of engineering at the time of publishing.
We reserve the right to make modifications to the specifications and materials.



WIKAL Alexander Wiegand SE & Co. KG
Alexander-Wiegand-Straße 30
63911 Klingenberg/Germany
Tel. (+49) 9372/132-0
Fax (+49) 9372/132-406
E-mail info@wika.de
www.wika.de