

Bourdon tube pressure gauge with electrical output signal

Plastic case, ingress protection IP 41

Model PGT10

WIKA data sheet PV 11.05

intelliGAUGE®

Applications

- General machine building

Special features

- Non-contact sensor (wear-free)
- Nominal size 40, 50
- Scale ranges 0 ... 1.6 bar to 0 ... 400 bar
- Different output signals



Bourdon tube pressure gauge model PGT10

Description

Design

EN 837-1

Nominal size in mm

40, 50

Accuracy class

2.5

Scale ranges

0 ... 1.6 to 0 ... 400 bar

or all other equivalent vacuum or combined pressure and vacuum ranges

Pressure limitation

Steady: 3/4 x full scale value

Fluctuating: 2/3 x full scale value

Short time: Full scale value

Permissible temperature

Ambient: -20 ... +60 °C

Medium: +60 °C maximum

Temperature effect

When the temperature of the measuring system deviates from the reference temperature (+20 °C): max. $\pm 0.4\%$ /10 K of the span

Process connection

Cu-alloy,

lower mount (LM) or centre back mount (CBM)

G 1/4 B (male), 14 mm flats

Pressure element

Cu-alloy, C-type

Movement

Cu-alloy

Dial

Plastic, white, black lettering

Pointer

Plastic, black

Case
Plastic

Window
Plastic, crystal-clear (PC)

Ingress protection
IP 41 per EN 60529 / IEC 529

Options

- Other process connection (with adapter, Cu-alloy)
- Other cable length

Electronics

Output signal (275° indication angle)

With $U_s = DC\ 5\ V$, ratiometric:

0.5 ... 2.5 V, 0.5 ... 3.5 V or 0.5 ... 4.5 V

With $U_s = DC\ 12\ \dots\ 32\ V$, not ratiometric:

0.5 ... 2.5 V, 0.5 ... 3.5 V or 0.5 ... 4.5 V or
4 ... 20 mA, 2-wire

Supply voltage (U_s)

DC 5 V / DC 12 ... 32 V

Electrical connections

Cable outlet, standard length 2 m

Colour	2-wire	3-wire
red	$U_B +$	$U_B +$
black	GND	GND
orange	-	$U_{SIG} +$

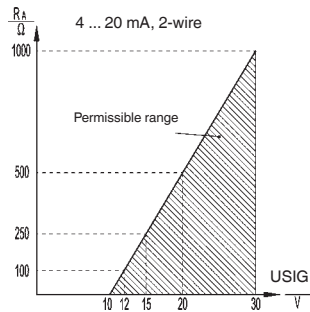
Electromagnetic compatibility

Per test standards EN 61000-4-6 / EN 61000-4-3

Output signal and permissible load

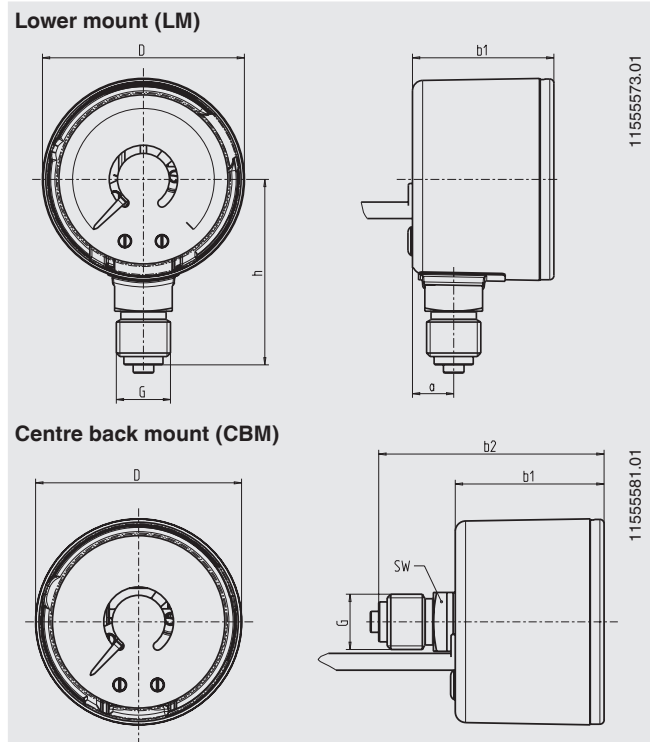
Voltage output (3-wire):
 $R_A > 5\ k\Omega$

Current output (2-wire)
4 ... 20 mA:
 $R_A \leq (U_{SIG} - 10\ V) / 0.02\ A$ with
 R_A in Ω and U_{SIG} in DC V



Dimensions in mm

Standard version



NS	Dimensions in mm							Weight in kg	
	a	b ₁	b ₂	D	G	h	SW		
40	9	34.1	48.5	40	G 1/8 B	36	14	0.1	
50	10	34.5	53.6	49	G 1/4 B	45	14	0.2	

Process connection per EN 837-1 / 7.3

Ordering information

Model / Nominal size / Scale range / Connection size / Connection location / Output signal / Options

© 2010 WIKA Alexander Wiegand SE & Co. KG, all rights reserved.
The specifications given in this document represent the state of engineering at the time of publishing.
We reserve the right to make modifications to the specifications and materials.



WIKAL Alexander Wiegand SE & Co. KG
Alexander-Wiegand-Straße 30
63911 Klingenberg/Germany
Tel. (+49) 9372/132-0
Fax (+49) 9372/132-406
E-mail info@wika.de
www.wika.de