

Capsule pressure gauge

Test gauge series, class 0.1 and 0.25

Model 612.11

WIKA data sheet PM 06.04



Applications

- For gaseous, dry, clean and non-aggressive media
- Precision measurement in laboratories
- Highest-accuracy pressure measurement
- Testing and calibration of industrial type pressure gauges

Special features

- Knife edge pointer and dial with mirror band scale for optimal accuracy of reading
- Precise movement with wear parts of argentan
- Particularly easy-to-read scale due to nominal size 250
- Front access to the zero adjustment
- Scale ranges from 0 ... 6 mbar



Test gauge series model 612.11

Description

Design

Following EN 837-3, with measuring cell underneath the case, class 0.1 instruments with transport case and acceptance test certificate (individual listing of the calibration points)

Nominal size in mm

250

Accuracy class

0.1 and 0.25

Scale ranges

Class 0.1: 0 ... 25 to 0 ... 400 mbar

Class 0.25: 0 ... 6 to 0 ... 400 mbar

or all other equivalent vacuum or combined pressure and vacuum ranges

Adjustment medium

Gas

Pressure limitation

Steady: Full scale value

Fluctuating: 0.9 x full scale value

Permissible temperature

Ambient: -20 ... +60 °C

Medium: +60 °C maximum

Temperature effect

The indicated class accuracy applies to a room temperature of +20 °C.

Temperature-related zero offsets can be corrected by means of the zero adjustment.

Ingress protection

IP 54 per EN 60529 / IEC 529

Standard version

Process connection

Cu-alloy,
lower mount (LM)
G ½ B (male), 27 mm flats

Measuring elements

Cu-alloy

Movement

Cu-alloy, wear parts argentan

Dial

Aluminium, white, black lettering, scale 330°, with mirror band scale, for zero adjustment rotatable by ±15°

Pointer

Knife edge pointer, aluminium, black

Case

Flange ring type case, aluminium, black-silver

Window

Clear non-splintering plastic, green tinted to prevent the dazzle effect

Bezel ring

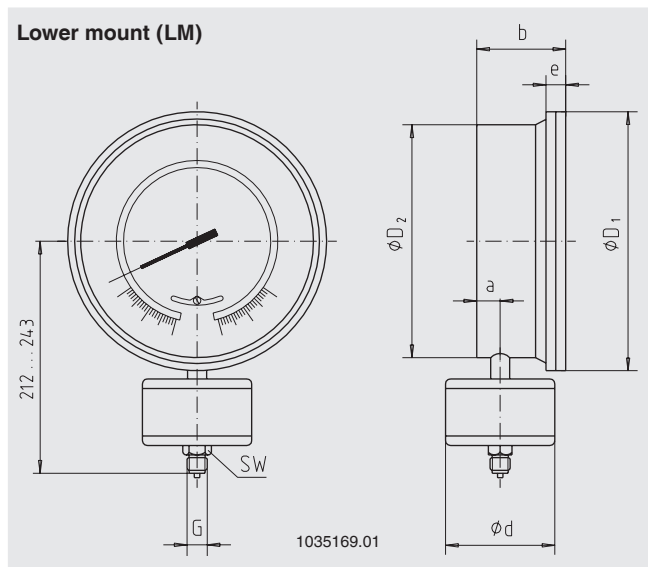
Flange ring, aluminium, black-silver

Options

- Other process connection
- Transport case for class 0.25 instruments
- Acceptance test certificate for class 0.25 instruments
- Bourdon tube pressure gauge for pressures from 0 ... 1 bar (model 342.11, see data sheet PM 03.03)

Dimensions in mm

Standard version



NS	Dimensions in mm							SW	Weight in kg
	a	b	D ₁	D ₂	d	e	G		
250	31	78	277	250	Ø 130	16.5	G ½ B	27	4.80

Process connection per EN 837-3 / 7.3

Ordering information

Model / Nominal size / Accuracy class / Scale range / Connection size / Connection location / Options

© 20011 WIKA Alexander Wiegand SE & Co. KG, all rights reserved.
The specifications given in this document represent the state of engineering at the time of publishing.
We reserve the right to make modifications to the specifications and materials.



WIKAL Alexander Wiegand SE & Co. KG
Alexander-Wiegand-Straße 30
63911 Klingenberg/Germany
Tel. (+49) 9372/132-0
Fax (+49) 9372/132-406
E-mail info@wika.de
www.wika.de