

Capsule pressure gauge Model 611.13, plastic version

WIKA data sheet PM 06.12



swikap
by WIKAI

Applications

- For gaseous, dry and non-aggressive media
- Medical, vacuum, environmental, heating technology, for contents measurement and filter monitoring

Special features

- Compact design and ingress protection IP 53
- Case from plastic
- Special connection location on request
- Low scale ranges from 0 ... 60 mbar
- Maximum scale range 0 ... 1,000 mbar



Capsule pressure gauge, model 611.13

Description

Design

EN 837-3

Nominal size in mm

50, 63

Accuracy class

2.5

Scale ranges

0 ... 60 mbar to 0 ... 1,000 mbar
or all other equivalent vacuum or combined pressure and vacuum ranges

Pressure limitation

Steady: Full scale value
Fluctuating: 0.9 x full scale value

Permissible temperature

Ambient: -20 ... +60 °C
Medium: +60 °C maximum

Temperature effect

When the temperature of the measuring system deviates from the reference temperature (+20 °C):
max. $\pm 0.6\%$ / 10 K of full scale value

Ingress protection

IP 53 per EN 60529 / IEC 529

Standard version

Process connection

Copper alloy, lower mount (LM) or centre back mount (CBM),
G 1/4 B male, 14 mm flats

Pressure element

Copper-beryllium alloy (CuBe)

Sealing

NBR

Movement

Copper alloy

Dial

Aluminium, white, black lettering

Pointer

Aluminium, black

Case

Plastic, black

Window

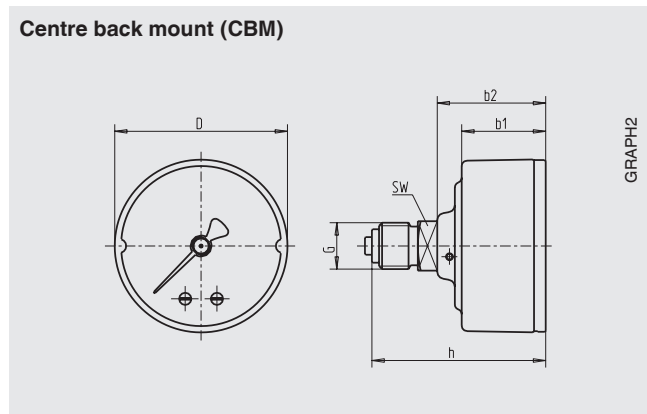
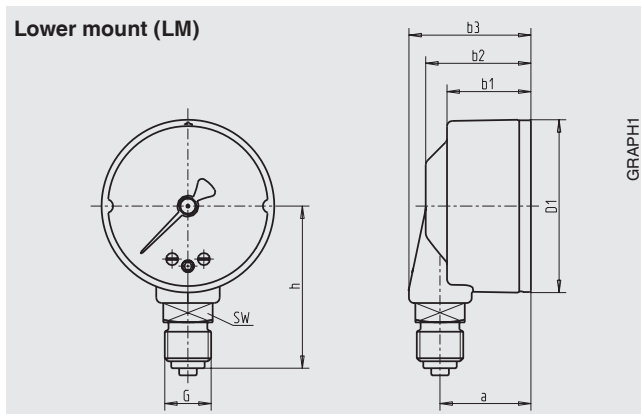
Plastic, crystal-clear, snap-fitted in case

Options

- Other process connection
- Sealings (model 910.17, see data sheet AC 09.08)
- Overpressure or vacuum safety (on request)
- Accuracy class 1.6
- Zero adjustment, in front
- Restrictor

Dimensions in mm

Standard version



NS	Connection location	Dimensions in mm				D	G	h ±1	SW	Weight in kg
		a	b ₁	b ₂	b ₃					
50	lower mount (LM)	26	24	30	35	49	G ¼ B	48	14	0.07
50	back mount (BM)	-	24	31	-	49	G ¼ B	51.5	14	0.07
63	lower mount (LM)	25.5	24	29.5	34.5	62	G ¼ B	48	14	0.08
63	back mount (BM)	-	24	31	-	62	G ¼ B	51.5	14	0.08

Process connection per EN 837-1 / 7.3

Ordering information

Model / Nominal size / Scale range / Connection size / Connection location / Options

© 2003 WIKA Alexander Wiegand SE & Co. KG, all rights reserved.
The specifications given in this document represent the state of engineering at the time of publishing.
We reserve the right to make modifications to the specifications and materials.



WIKAL
WIKAL Alexander Wiegand SE & Co. KG
 Alexander-Wiegand-Straße 30
 63911 Klingenberg/Germany
 Tel. +49 9372 132-0
 Fax +49 9372 132-406
 info@wika.de
 www.wika.de

Approvals

- GOST, metrology/measurement technology, Russia
- GOST-R, import certificate, Russia

Certificates ¹⁾

- 2.2 test report per EN 10204 (e.g. state-of-the-art manufacturing, material proof, indication accuracy)
- 3.1 inspection certificate per EN 10204 (e.g. material proof for wetted metallic parts, indication accuracy)

1) Option

Approvals and certificates, see website